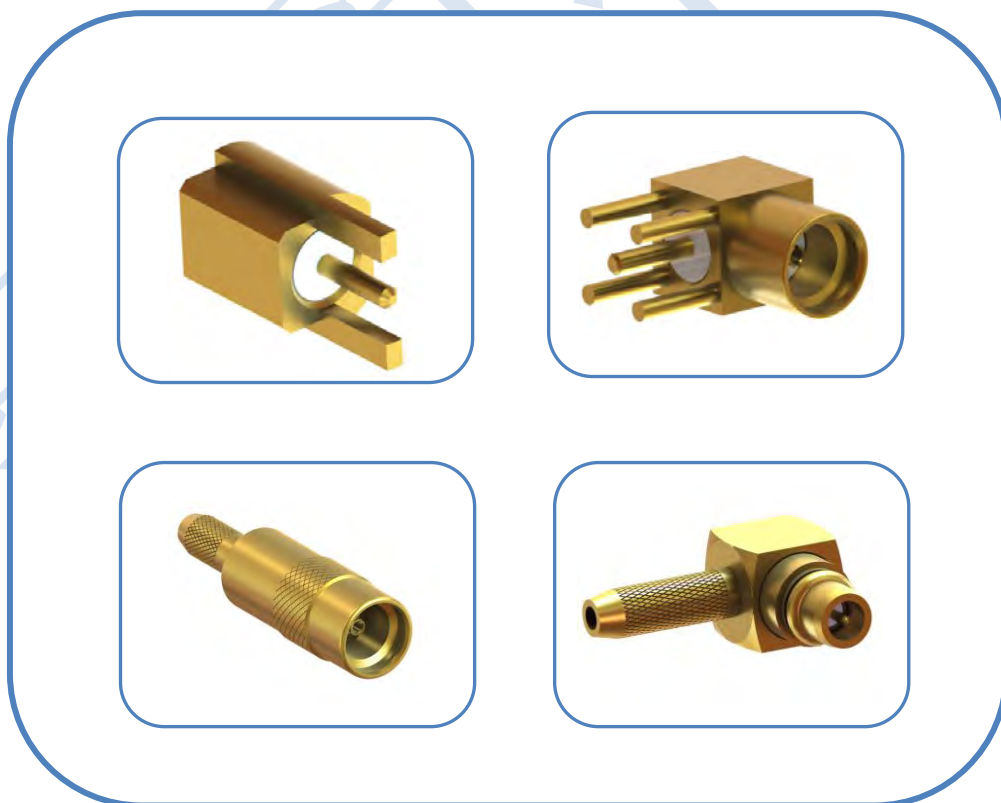


MMCX 系列射频同轴连接器


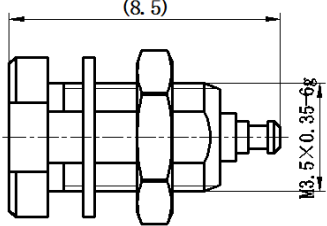

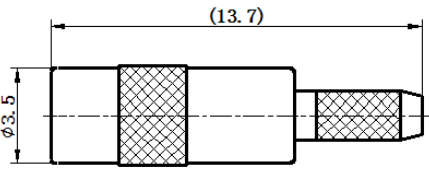

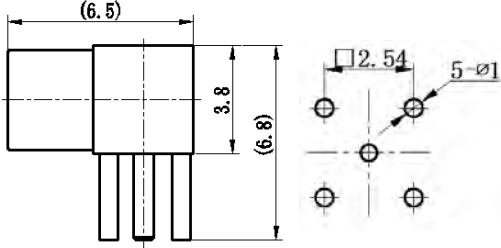
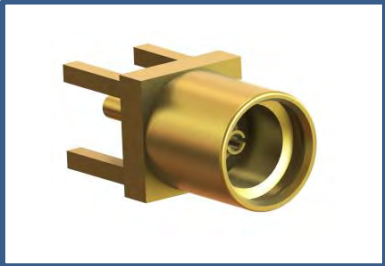
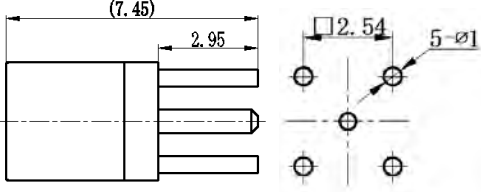
SERIES MMCX RF. COAXIAL CONNECTORS

MMCX 型射频同轴连接器是一种推入自锁式连接器，尺寸比 MCX 连接器小 30%，阻抗特性 $50\ \Omega$ 。它体积小、重量轻、连接方便可靠，可广泛用于 PCB 面板安装、表面安装以及对系统体积、重量都有要求的小型移动通讯、网络设备中。

MMCX type RF coaxial connector is a push-in self-locking connector, 30% smaller than MCX connector size, impedance characteristic $50\ \Omega$. It is small in size, light in weight, convenient and reliable in connection, and can be widely used in PCB panel installation, surface installation and small mobile communication and network equipment which have requirements on system volume and weight.



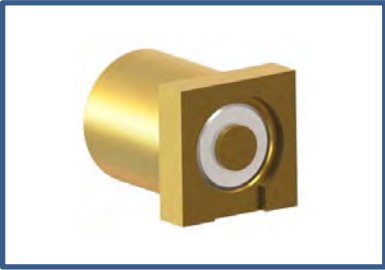
◆ 部分产品型号外形参数 Partial Products Overall Specification

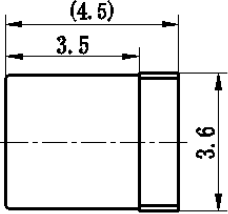
产品型号 Product No.	适配电缆 Matched cable		
MMCXF-F-D	-		
014-01			
MMCXF-C	RG178		
014-02			
MMCXF-R-E	-		
014-03			
MMCXF-E	-		
014-04			

射频同轴连接器

RF Coaxial Connector

产品型号	适配电缆
Product No.	Matched cable
MMCXF-E	-





014-05

产品型号	适配电缆
Product No.	Matched cable
MMCXF-E	-





014-06

产品型号	适配电缆
Product No.	Matched cable
MMCXM-C	RG174





014-07

产品型号	适配电缆
Product No.	Matched cable
MMCXM-R-C	RG178





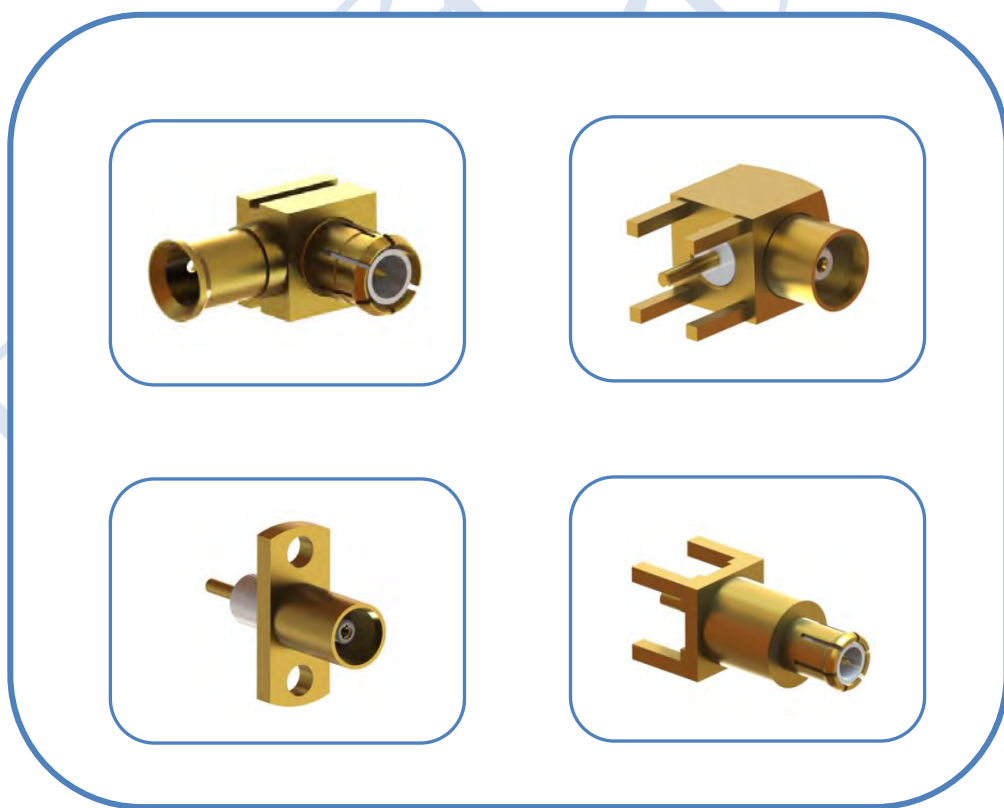
014-08

MCX 系列射频同轴连接器


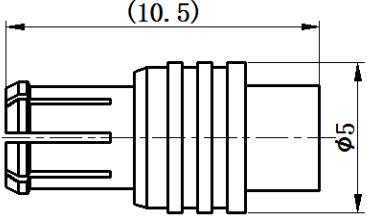

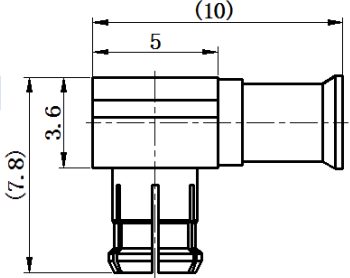

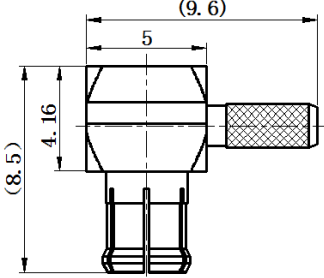

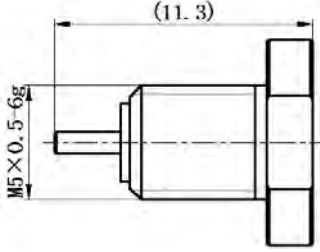
SERIES MCX RF. COAXIAL CONNECTORS

MCX 型产品是一种小型推入自锁式射频同轴连接器，阻抗特性为 $50\ \Omega$ 。它具有体积小、重量轻、性能优越、可靠性高的特点，广泛应用于对安装体积有特殊要求的领域。

The MCX product is a small push-in self-locking RF coaxial connector with an impedance characteristic of $50\ \Omega$. It has the characteristics of small volume, light weight, superior performance and high reliability and is widely used in the field with special requirements for installation volume.

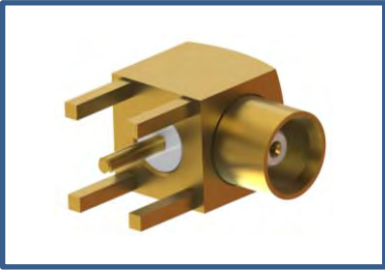
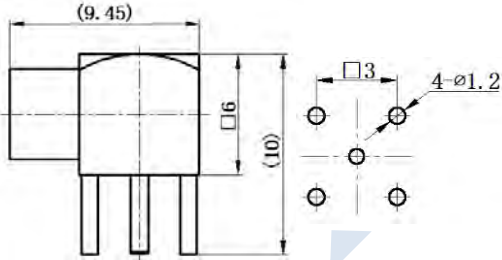

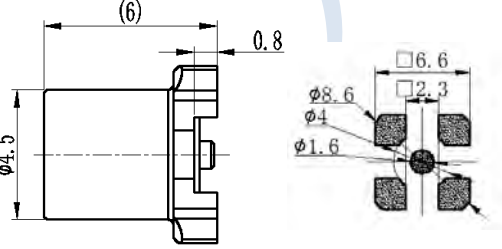

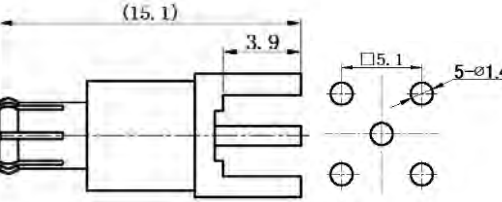
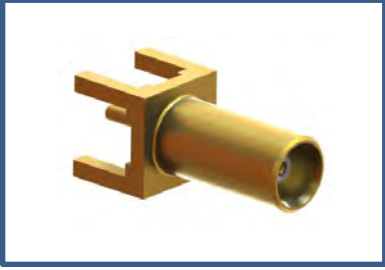
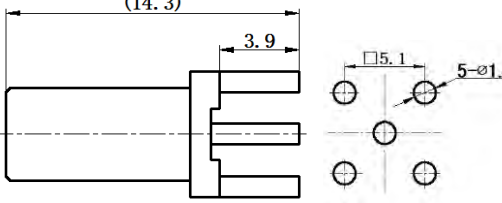


◆ 部分产品型号外形参数 Partial Products Overall Specification

产品型号 Product No.	适配电缆 Matched cable		
MCXM-H	RG405		
013-01			
产品型号 Product No.	适配电缆 Matched cable		
MCXM-R-H	RG316		
013-02			
产品型号 Product No.	适配电缆 Matched cable		
MCXM-R-C	RG178		
013-03			
产品型号 Product No.	适配电缆 Matched cable		
MCXF-Y-D	-		
013-04			


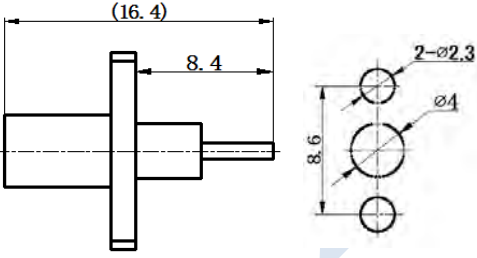
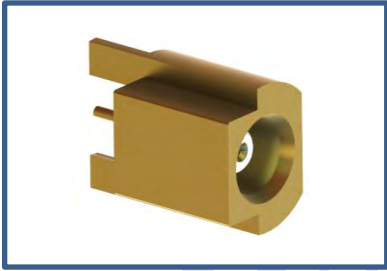
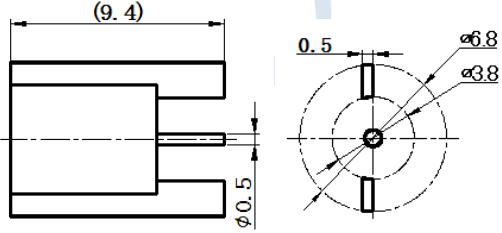
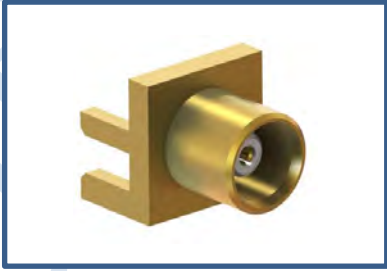
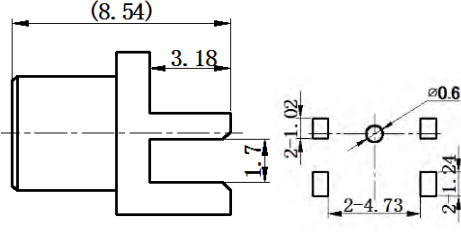
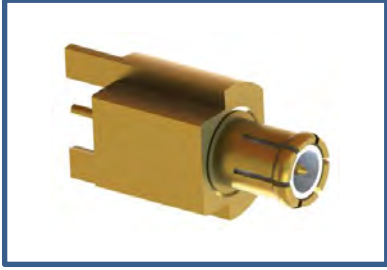
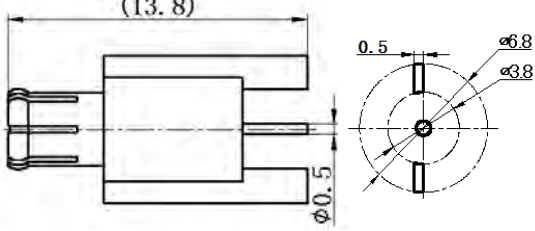
射频同轴连接器

RF Coaxial Connector

产品型号 Product No. MCXF-R-E	适配电缆 Matched cable -		
013-05			
产品型号 Product No. MCXF-E	适配电缆 Matched cable -		
013-06			
产品型号 Product No. MCXM-E	适配电缆 Matched cable -		
013-07			
产品型号 Product No. MCXF-E	适配电缆 Matched cable -		
013-08			

射频同轴连接器

RF Coaxial Connector

产品型号 Product No. MCXF-F-D	适配电缆 Matched cable -			013-09
产品型号 Product No. MCXF-E	适配电缆 Matched cable -			013-10
产品型号 Product No. MCXF-E	适配电缆 Matched cable -			013-11
产品型号 Product No. MCXM-E	适配电缆 Matched cable -			013-12