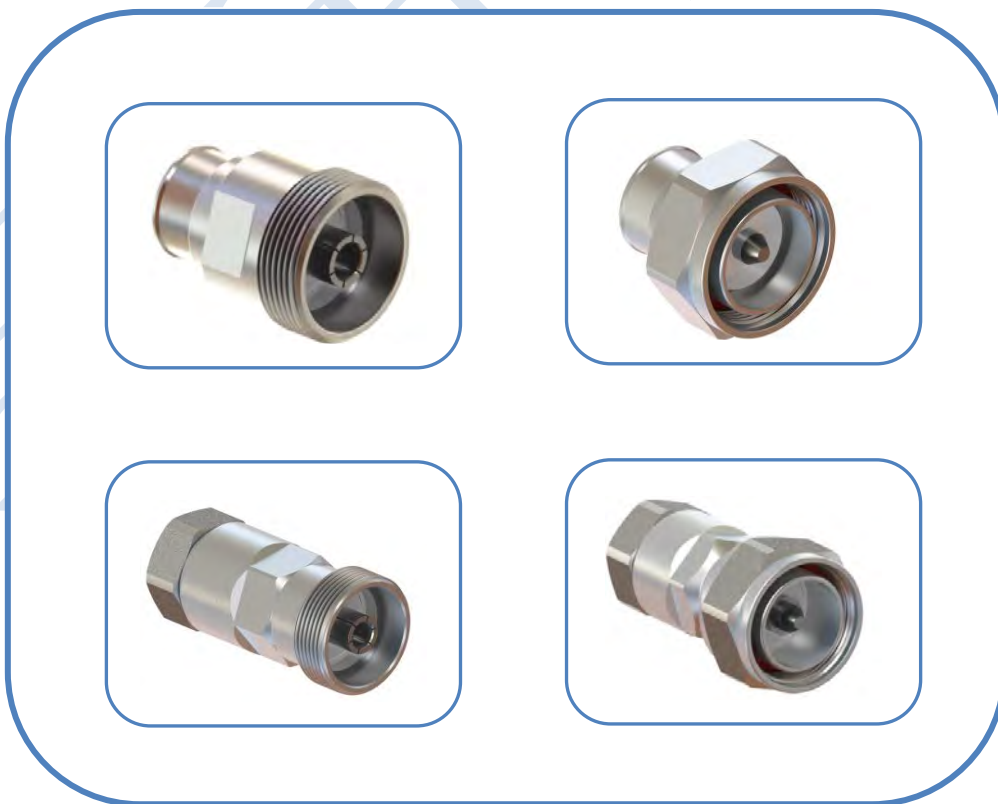



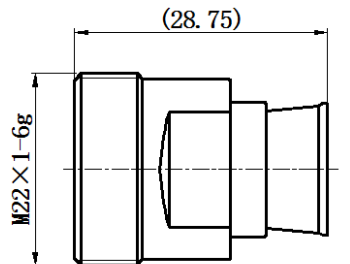

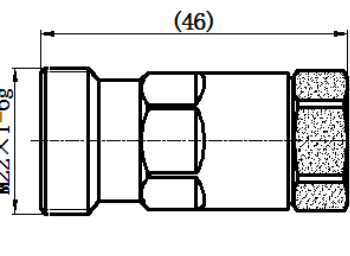

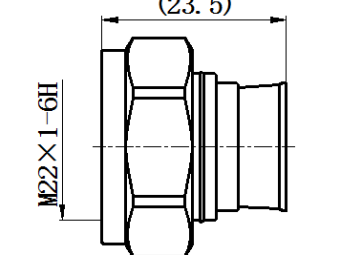

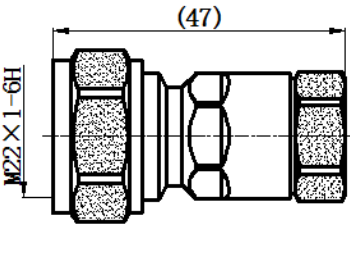
S7-16 系列射频同轴连接器 SERIES S7-16 RF. COAXIAL CONNECTORS

S7-16 型射频同轴连接器是由我司起草制定的国际标准（IEC61169-53），S7-16 型连接器拥有小型化的尺寸和优异的性能，其继承了 7/16 型可靠的结构和稳定的性能，适用于类似无线通讯基站的大功率、户外应用。独特的结构设计保证了信号传输的低互调和低衰减。

S7-16 RF coaxial connector is an international standard drafted by our company (IEC61169-53), S7-16-type connector has a compact size and excellent performance, which inherited the S7/16 type product's reliable structure and stable performance, applicable to such high-power outdoor applications as wireless communication base station. The unique structural design ensures low intermodulation and low attenuation in signal transmission.



◆ 部分产品型号外形参数 Partial Products Overall Specification

产品型号 Product No.	适配电缆 Matched cable		
S7-16F-H	YD9		
071-01			
产品型号 Product No.	适配电缆 Matched cable		
S7-16F	YD9		
071-02			
产品型号 Product No.	适配电缆 Matched cable		
S7-16M-H	YD12		
071-03			
产品型号 Product No.	适配电缆 Matched cable		
S7-16M	YD12		
071-04			