


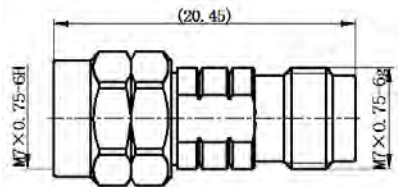

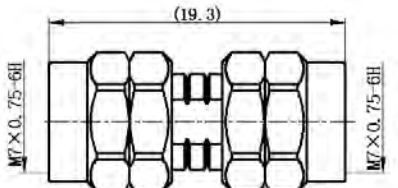

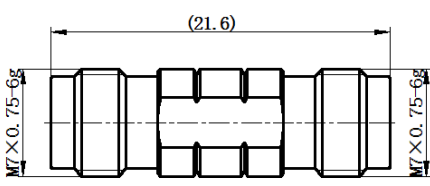

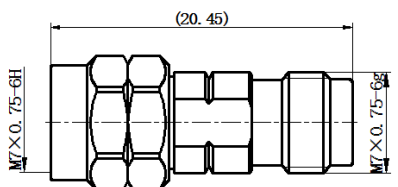
## 毫米波转接器 Millimeter wave adaptors

毫米波系列间转接器可实现不同系列的毫米波产品的对接互换，采用空气界面，具有体积小、重量轻、使用频率高的特点。1.85系列产品工作频率可达65GHz，界面与2.4系列连接器相兼容。2.92系列产品工作频率可达40GHz，可与3.5系列和SMA系列产品对接互换。广泛应用于精密测量领域和各类毫米波通讯设备中。

Millimeter wave series interchanger can realize the docking and exchange of millimeter wave products of different series. It adopts air interface and has the characteristics of small size, light weight and high frequency of use. The 1.85 series products operate at a frequency of up to 65GHz, and their interface is compatible with the 2.4 series connector. The operating frequency of 2.92 series products can reach 40GHz, which can be interchangeable with 3.5 series and SMA series products. It is widely used in precision measurement and all kinds of millimeter wave communication equipment.



### ◆ 部分产品型号外形参数 Partial Products Overall Specification

产品型号 Product No. 1.85M/1.85F	适配电缆 Matched cable -		
067/067-01			
产品型号 Product No. 1.85M/1.85M	适配电缆 Matched cable -		
067/067-02			
产品型号 Product No. 1.85F/1.85F	适配电缆 Matched cable -		
067/067-03			
产品型号 Product No. 2.4M/2.4F	适配电缆 Matched cable -		
064/067-01			

# 射频同轴连接器

## RF Coaxial Connector

产品型号	适配电缆
Product No.	Matched cable
2.4M/2.4M	-





064/064-02

产品型号	适配电缆
Product No.	Matched cable
2.4F/2.4F	-





064/064-03

产品型号	适配电缆
Product No.	Matched cable
2.92M/2.92F	-





065/065-01

产品型号	适配电缆
Product No.	Matched cable
2.92M/2.92M	-





065/065-02

# 射频同轴连接器

## RF Coaxial Connector

产品型号	适配电缆
Product No.	Matched cable
2.92F/2.92F	-




065/065-03

产品型号	适配电缆
Product No.	Matched cable
3.5M/3.5F	-




066/066-01

产品型号	适配电缆
Product No.	Matched cable
3.5M/3.5M	-




066/066-02

产品型号	适配电缆
Product No.	Matched cable
3.5F/3.5F	-




066/066-03